

**PLEASE CHECK WWW.MOLEX.COM FOR LATEST PART INFORMATION**

**Part Number:** [0194350613](#)  
**Status:** **Active**  
**Overview:** [mx150l sealed connector system](#)  
**Description:** MX150L™ 6 Circuit Rear Mount Flange Plug for 14-16 AWG Wire, without Gasket

**Documents:**

[3D Model](#) [RoHS Certificate of Compliance \(PDF\)](#)  
[Drawing \(PDF\)](#)

**General**

Product Family	Crimp Housings
Series	<a href="#">19435</a>
Comments	Mat Seal Color is Blue
Overview	<a href="#">mx150l sealed connector system</a>
Product Literature Order No	987650-2181
Product Name	MX150L™

**Physical**

Circuits (maximum)	6
Gender	Male
Glow-Wire Compliant	No
Lock to Mating Part	Yes
Number of Rows	2
Packaging Type	Bag
Panel Mount	Yes
Pitch - Mating Interface (in)	0.230 In
Pitch - Mating Interface (mm)	5.84 mm
Polarized to Mating Part	Yes
Stackable	No
Temperature Range - Operating	-40°C to +125°C

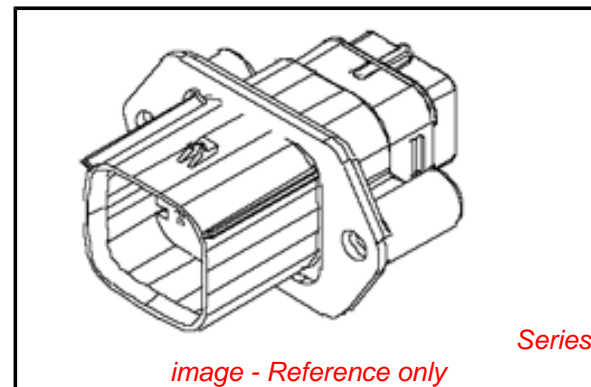
**Electrical**

Current - Maximum per Contact	18A
-------------------------------	-----

**Material Info**

**Reference - Drawing Numbers**

Packaging Specification	PK-19435-001
Sales Drawing	SD-19435-006



**EU RoHS**

**ELV and RoHS Compliant**  
**REACH SVHC**  
 Not Reviewed  
**Halogen-Free**  
**Status**

**China RoHS**



**Not Reviewed**

**Need more information on product environmental compliance?**

Email [productcompliance@molex.com](mailto:productcompliance@molex.com)  
 For a multiple part number RoHS Certificate of Compliance, [click here](#)

Please visit the [Contact Us](#) section for any non-product compliance questions.

**Search Parts in this Series**

[19435Series](#)

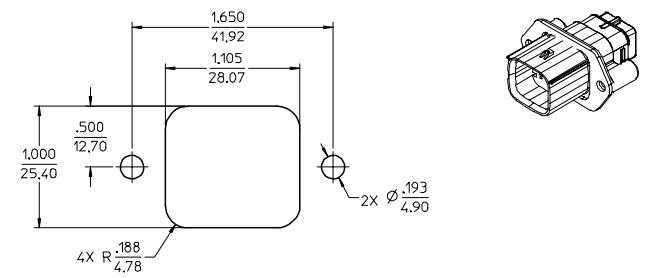
**Mates With**

[19418](#)

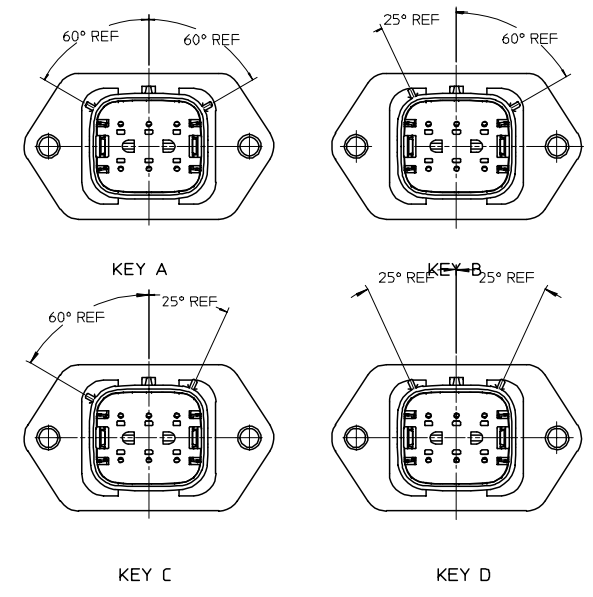
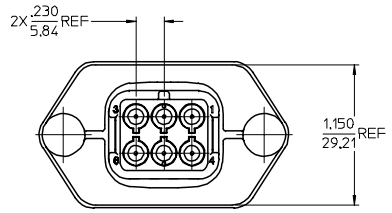
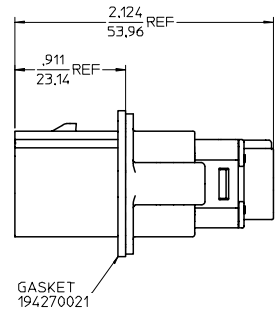
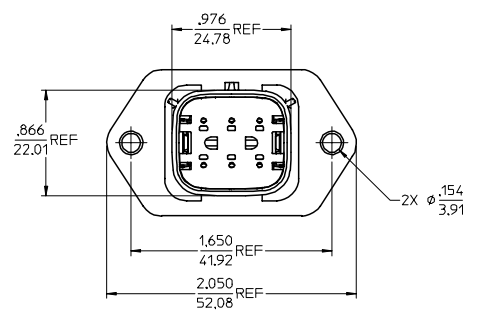
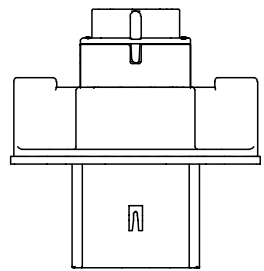
**Use With**

[19417 Male Crimp Terminals](#)

MATERIAL NUMBER	WIRE GAGE	GASKET	KEYING OPTION	COLOR
194350611	16-14	YES	A	BLACK
194350612	22-18	YES	A	BLACK
194350613	16-14	NO	A	BLACK
194350614	22-18	NO	A	BLACK
194350616	16-14	YES	B	GRAY
194350617	22-18	YES	B	GRAY
194350618	16-14	NO	B	GRAY
194350619	22-18	NO	B	GRAY
194350621	16-14	YES	C	BROWN
194350622	22-18	YES	C	BROWN
194350623	16-14	NO	C	BROWN
194350624	22-18	NO	C	BROWN
194350626	16-14	YES	D	GREEN
194350627	22-18	YES	D	GREEN
194350628	16-14	NO	D	GREEN
194350629	22-18	NO	D	GREEN



RECOMMENDED PANEL MOUNT OPENING  
MAX PANEL THK .080/2.03



- NOTES:
- MATERIALS:  
HOUSING: POLYESTER (PBT), GLASS FILLED, UL94 V-0, COLOR: SEE CHART.  
SEAL & GASKET: SILICONE RUBBER.
  - PRODUCT SPECIFICATION: PS-19417-001.
  - PACKAGING SPECIFICATION: PK-19419-001.
  - MATES WITH: 19418 SERIES RECEPTACLE ASSEMBLIES.
  - RECOMMENDED MOUNTING HARDWARE: (2)#10 X .62/18.9 LONG PLASTIC THREAD CUTTING SCREWS, RECOMMENDED TORQUE 15-17 IN.-LBS, SUGGESTED SOURCE: ITW SHAKEPROOF INDUSTRIAL BOSSCREW OR EQUIVALENT.

NEW PRODUCT EC NO. ETC 2005-0228 DRAWN: JPWL ICK 2005/06/20 CHKD: JPWL ICK 2005/06/21 APPR: RDEROSS 2005/06/21	QUALITY SYMBOLS ▽=0 ▽=0	GENERAL TOLERANCES (UNLESS SPECIFIED)	DIMENSION STYLE IN/MM	SCALE 2:1	DESIGN UNITS INCH	THIRD ANGLE PROJECTION
	4 PLACES ± .--- ± .--- 3 PLACES ± .--- ± .015 2 PLACES ± 0.38 ± .--- 1 PLACE ± .--- ± .--- ANGULAR ± 2 °	mm INCH	DRAWN BY JPWL ICK I DATE 02/09/05	CHECKED BY DATE 02/10/05	TITLE 6 WAY SEALED PLUG PANEL MOUNT ASSEMBLY, 22-14 AWG, A-D POLARIZATION	MATERIAL NO. SD-19435-006
REV A	DRAFT WHERE APPLICABLE MUST REMAIN WITHIN DIMENSIONS	SEE CHART	THIS DRAWING CONTAINS INFORMATION THAT IS PROPRIETARY TO MOLEX INCORPORATED AND SHOULD NOT BE USED WITHOUT WRITTEN PERMISSION			